

RDS RADIO ALARM CLOCK
WITH INSIDE AND OUTSIDE
TEMPERATURE DISPLAY

CT390



SAFETY RECOMMENDATIONS

Carefully read the instructions of this manual, respecting recommendations for use and safety. Keep this document and tell potential users about it. This appliance has been designed solely for domestic use; the manufacturer's liability shall not be engaged in the event of any professional use, any misuse or any use not complying with the operating instructions.



This symbol, representing a lightning bolt inside an equilateral triangle, is intended to alert the user to the presence of uninsulated, dangerous voltage in the product's enclosure that is high enough to present a risk of electrical shock.



This symbol, representing an exclamation mark inside an equilateral triangle, is intended to alert the user to the presence of operating and maintenance instructions in the documentation accompanying the product.



This symbol complies with the standards in force for this type of product.



Disposing of the appliance at the end of its life
This appliance bears the WEEE mark (Waste of Electric and Electronic Equipment) signifying that, at the end of its life cycle, it should not be disposed of with household waste, but at a recycling centre. The recycling of waste contributes to the conservation of our environment.



Disposing of batteries at the end of their life
In order to respect the environment, do not throw used batteries out with household waste. Dispose of them at your nearest recycling centre or at a used battery collection point.

WARNING CONCERNING USE AND INSTALLATION

ATTENTION: To avoid all risk of fire or electrical shock, do not expose the appliance to rain or humidity. Therefore, the appliance should not be used near a water supply point or in a humid location (bathroom, swimming pool, sink, etc).

ATTENTION: Never immerse the appliance in water or in any liquid whatsoever.

- Do not place any object containing water (e.g. vases, etc.) on the appliance.
- Do not place the appliance in full sunlight, close to heating equipment or any heat source, or in a location subject to excessive dust or mechanical shocks.
- Do not expose the appliance to extreme temperatures. The appliance is designed for use in moderate climates.
- Do not place any object that produces heat (candle, ash tray, etc.) close to the appliance.
- Place the appliance on a surface that is flat, rigid and stable.
- Do not install the appliance in an inclined position. It is designed to work solely in a horizontal position.
- Install the appliance in a location with sufficient ventilation to avoid internal overheating. Avoid restricted spaces such as bookcases, cabinets, etc.
- Do not obstruct the appliance's ventilation openings.
- Do not install the appliance on a soft surface, such as a carpet or blanket, that might block the ventilation openings.
- Do not place heavy objects on the appliance.
- This appliance is not a toy; do not allow children to use it unsupervised.
- Never let children insert foreign objects into the appliance.
- Due to the effect of electrostatic and/or fast electrical transient phenomena, the product may not operate properly and will need to be reset by the user.

MAINS VOLTAGE ADAPTER

- This appliance is designed to operate with the adapter supplied. If you replace the adapter, use one that has the same characteristics.
- The adapter should not be obstructed or should be readily accessible during use.
- If you need to use an extension cord, take all necessary precautions to ensure that no-one can trip over it or get tangled up in it.
- Do not plug in or unplug the adapter when your hands are not dry.
- To avoid all risk of fire or electrical shock, do not expose the appliance to rain or humidity. Therefore, the appliance should not be used near a water supply point or in a humid location.

INFORMATION ABOUT BATTERIES (not supplied)

- The appliance must be equipped with the appropriate batteries in order to function properly.
- Only recommended batteries should be used.
- Polarity must be respected when inserting batteries.
- The batteries should be inserted in such a way as to avoid any short circuit.
- Do not mix used and new batteries.
- Do not mix alkaline, standard (carbon-zinc) and rechargeable (nickel-cadmium) batteries.
- Do not recharge or try to open the batteries. Do not throw the batteries in the fire.
- Replace all batteries at the same time with identical batteries.
- Remove the batteries when unused for a long time.
- If the liquid contained in the batteries comes in contact with eyes or skin, wash the area immediately and carefully with clear water and consult a doctor.
- Battery shall not be exposed to excessive heat such as sunshine, fire or the like.

ATTENTION: Danger of explosion if batteries are not inserted correctly.

MAINTENANCE AND CLEANING

Consult the following table if there is a problem with the appliance.

MAINTENANCE AND CLEANING

- Unplug the appliance before cleaning it.
 - Remove fingerprints and dust with a soft and slightly damp cloth. Do not use abrasive products or solvents that may damage the appliance's surface.
- ATTENTION:** Never immerse the appliance in water or in any liquid whatsoever.
- If it is not used for a long time, unplug the appliance and remove the batteries.

TECHNICAL SPECIFICATIONS

Frequency ranges :

- FM : 87.5 to 108MHz

Mains voltage adaptor :

Input : 100-240V ~ 50/60Hz 0.3A

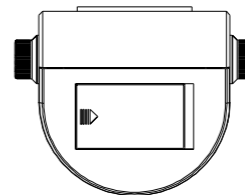
Output : 5V  1200mA

Note: Unit design and specifications are subject to change without notice. The manufacturer reserves the right to make the necessary improvements.

BATTERY BACK-UP

The back-up system ensures that the clock continues to function in the event of a power-cut.

- Open the battery compartment on the underside of the apparatus.
- Insert 1 LR61 9V batteries, polarity as indicated (+/-).
- Close the battery compartment.



THOMSON is a trademark of TECHNICOLOR S.A. used under license by:

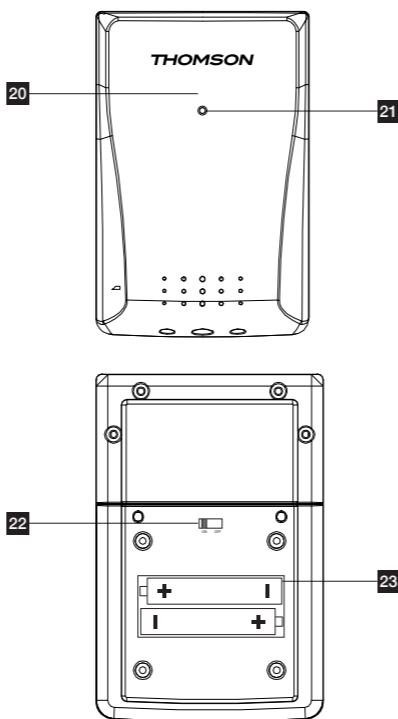
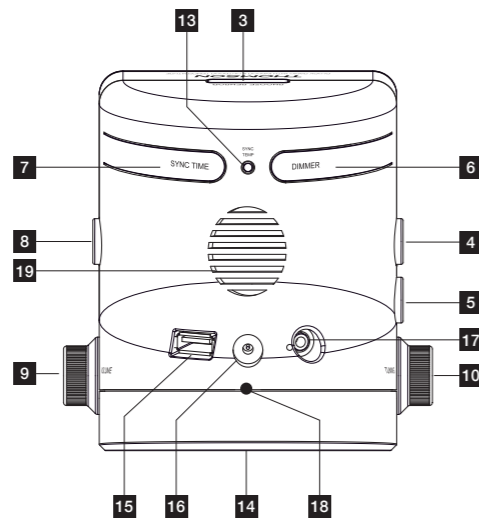
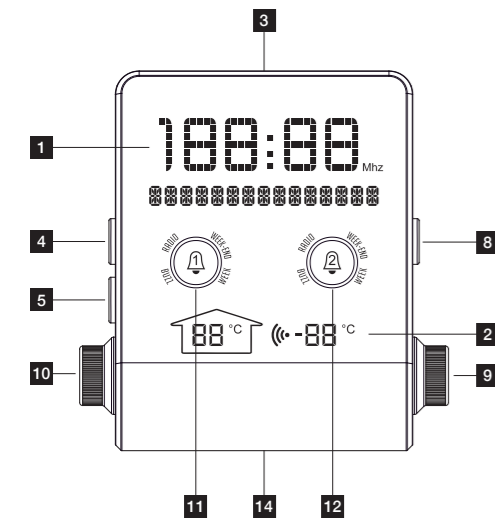
Parsons International France
19 Boulevard Albert Einstein
77420 Champs sur Marne - France



The hour French time: Monday to Thursday (from 9 am to 18 pm) and Friday (9 am to 3:30 p.m.)

www.thomsonaudiovideo.eu





20		External temperature thermal sensor
21		Indicator light
22		I/O (On/Off)
23		Battery compartment

DESCRIPTION OF THE PRODUCT

1		Main LCD display
2		Temperature LCD display
3	SNOOZE SENSOR	Alarm repeat
4	SET	Time, date and alarm settings/ (in radio mode) details of the RDS function
5	MODE	Settings mode/radio station storage
6	DIMMER	Backlight intensity settings
7	SYNC TIME	Time synchronisation using RDS
8	RADIO	Switching on/off the radio
9	VOLUME	Volume settings

10	TUNING ADJUST	Radio frequency settings/changing the settings
11		Function selector for alarm 1
12		Function selector for alarm 2
13	SYNC TEMP	Synchronisation of the external probe
14		Battery compartment
15		USB socket: USB charger
16		Power outlet
17	MP3 Connect Auxiliaire IN	Auxiliary audio source input
18		FM antenna
19		Loudspeaker

USE

INSTALLATION

- Plug the mains adaptor into the socket.
- Insert the mains adaptor plug in the power connector at the back of the device.
- Only use the adaptor provided. If you wish to use another adaptor, ensure that it has the same specifications and complies with current standards.

SETTING THE TIME AND DATE

Automatic configuration:

After connecting the device, the radio is off; press **SYNC TIME** to automatically configure the clock using RDS frequencies. If this is not possible due to poor frequency reception, you can configure the clock manually.

Manual configuration:

- Press **SET**: the hours display flashes (the clock set).
- Turn the **TUNING/ADJUST** wheel to set the hours.
- Press **MODE** to set the minutes.
- Turn the **TUNING/ADJUST** wheel to set the minutes.
- Press **MODE** to change the date.
- Turn the **TUNING/ADJUST** wheel to set the current year.
- Press **MODE** to change the month.
- Turn the **TUNING/ADJUST** wheel to set the month.
- Press **MODE** to change the day.
- Turn the **TUNING/ADJUST** wheel to set the day.
- The settings will be confirmed in 10 seconds.

ALARM 1 AND ALARM 2 SETTINGS

The device has 2 different alarms that can be set on different modes (**BUZZ RADIO**, **WEEK** and **WEEKEND**).

- Press **SET** twice: the alarm time display flashes (Alarm1 set).
- Turn the **TUNING/ADJUST** wheel to set the hours.
- Press **MODE** to change the minutes.
- Turn the **TUNING/ADJUST** wheel to set the minutes.
- Press **SET**: the alarm time display flashes (Alarm2 set).
- Turn the **TUNING/ADJUST** wheel to set the hours.
- Press **MODE** to change the minutes.
- Turn the **TUNING/ADJUST** wheel to set the minutes.
- Press **SET** to exit the alarm settings.

ACTIVATING AND SELECTING ALARM1 OR ALARM2 MODE

- Press / repeatedly to select the type of alarm function:
- **BUZZ WEEK**: the alarm rings every day of the week.
- **BUZZ WEEKEND**: the alarm rings every day of the week, except on weekends.
- **RADIO WEEK**: the alarm starts the radio every day of the week.
- **RADIO WEEKEND**: the alarm starts the radio every day of the week, except on weekends.

DEACTIVATING THE ALARM

- To deactivate alarm 1 or alarm 2, press or repeatedly until the alarm lights turn off.

ALARM REPEAT (SNOOZE)

- Touch or pass your hand over the **SNOOZE SENSOR** proximity sensor to stop the alarm. The alarm will sound every 9 minutes. The word **SNOOZE** flashes intermittently until the alarm sounds again.

SWITCHING OFF THE ALARM

- Press / to turn off the alarm. It will ring again the next day (after 24 hours).

USING THE RADIO

The reception of RDS signals depends on the physical location of the device. An obstacle between the FM transmitter and the device can affect radio reception (furniture, high voltage power cable, etc.).

- Press **RADIO** to switch on the radio and the LCD screen will display the FM frequency.
- Turn the **TUNING/ADJUST** wheel to search for the frequency. The frequency steps are of 0.05 MHz.
- Turn the **VOLUME** wheel to adjust the volume.
- While the radio is playing, press the **SET** button repeatedly to display the programme service (PS), programme type (PTY) and radio text (RT). The information is available if the RDS is active and there is adequate signal strength.
- Press **RADIO** to put the device on standby.

Note: use and position the wire aerial to improve reception of FM signals.

SAVING YOUR FAVOURITE RADIO STATIONS

- Turn the **TUNING/ADJUST** wheel quickly to set the closest radio station. The search automatically stops once a transmitted radio station is correctly identified.
- To save a station, press and hold the **MODE** button for 2 seconds. Repeat these steps to pre-set up to 20 stations.

ACCESSING THE MEMORISED STATIONS

When the radio is switched on:

- Press the **MODE** button repeatedly to go from one saved station to another (P01 to P20).

INDOOR AND OUTDOOR THERMOMETER

Measuring the indoor temperature:

- The device's built-in probe measures the indoor room temperature. It is permanently displayed at the bottom of the small LCD screen.

Measuring the outdoor temperature:

- Remove the battery compartment cover of the external probe.
- Insert 2 LR03 1.5 V batteries, ensuring that the polarity is as indicated.
- Set the external probe switch to I: this will switch on the red light.
- Replace the battery compartment cover of the external probe.
- Press **SYNC TEMP** at the back of the device to start synchronisation. The two dashes at the bottom of the screen flash.
- The synchronisation is finished when the temperature is displayed.
- The temperature of the probe is detected every minute.

Note: the external probe has a maximum range of 20 metres.

ADJUSTING THE BRIGHTNESS OF THE DISPLAY

- Press **DIMMER** to adjust the backlight intensity of the two LCD screens.

USB CHARGER SOCKET

- Allows you to charge your Smartphone or MP3 player battery.

AUXILIARY IN

Allows you to play music from an external audio source on the radio speakers.

- Use a male/male 3.5 mm jack cable (not provided).
- Insert one of the male jack plugs into the MP3 player or Smartphone device.
- Insert the other male jack plug into the **AUX IN** input at the back of the device.
- Switch the radio on.
- The music being played on the external audio source is played on the radio.